

MAILBOXES damaged during snow removal

During and after significant snow storms, highway agencies in the course of plowing, receive calls regarding damage to mailboxes either from snow plows directly or from the force of snow being thrown by the plows. If such damage is indeed caused by snow removal, it is not done intentionally but is an unfortunate consequence of snow removal.

As far as the Town of Riga replacing damaged mailboxes, it must be pointed out that there is no legal statutory or legal authority which grants a property owner or resident along a public highway any right to place a mailbox in the highway right-of-way.

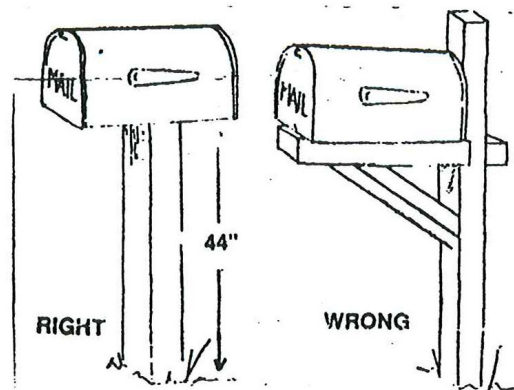
That the mailbox is on town, county or state right-of-way as a courtesy to the postal service.

Thus, when the necessity of keeping the highways open conflicts with the individuals reception of the mail, the latter must stand aside. The owner might even be compelled to remove the box under Highway Law #319.

From past experience, we have found that plastic mailboxes do not withstand the abuse of snow plowing and are not recommended.

As a courtesy, the Highway Department will repair a mailbox if the box was actually struck by the plow, but will not replace any fancy or oversized mailbox or post. Mailboxes or posts that are damaged or twisted by the weight of the snow alone will not be repaired.

Mailbox posts with fancy supports are not recommended as they stick out under the box and give the wing plow something to get a hold of. A box mounted directly on top of a treated 4 x 4 or 3" metal posts are the best. Please not the illustrations.



For further information, contact your Highway Superintendent at 293-2530.